

Fahrradcarports



Designer Sitzbänke



Stadtmobiliar



Catalogue

[www.biklee.de](http://www.biklee.de)

Fahrradreparatur- und Pumpsationen



Designer Fahrradständer

Our Toolbox allows you to perform all basic bicycle repairs, such as changing the tire tube, backlash removal, adjustment of derailleurs, brakes, etc. Enables suspending the bike in the air, which allows for a better access to all components. Extraordinary construction protecting the tools from extremes of weather and corrosion.



Catalog number: SN.01

## FINISH OPTIONS

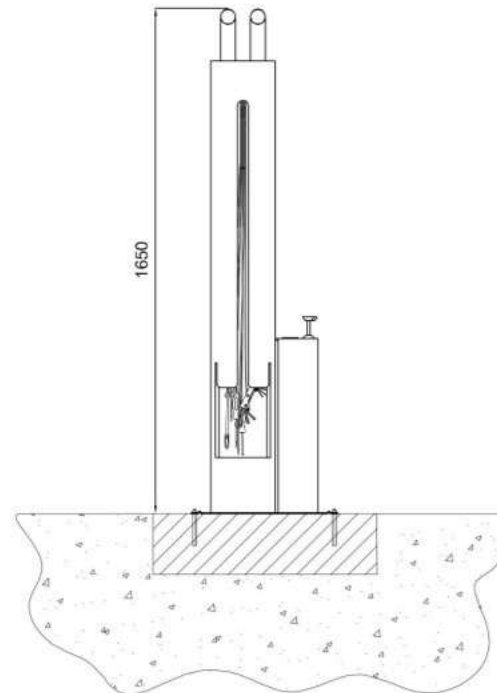
Galvanized & powder coated in a colour from RAL palette

Stainless steel



## MOUNTING OPTIONS

Using steel double clip wedge anchors (in hard and solid substrates)



## FEATURES

Universal pump with a pressure of 10 bar allows to pump all types of valves. Pump has Built-in Manometer

Set of proven branded tools secured with steel cords coated with PVC

Phillips screwdriver

Slotted screwdriver

Torx T25 screwdriver

Adjustable wrench

8x9mm and 13x15mm spanner

Set of allen wrenches

Plastic tire levers (eliminate the risk of damage to the rim)



# AMSTERDAM

Catalog number: SR.101

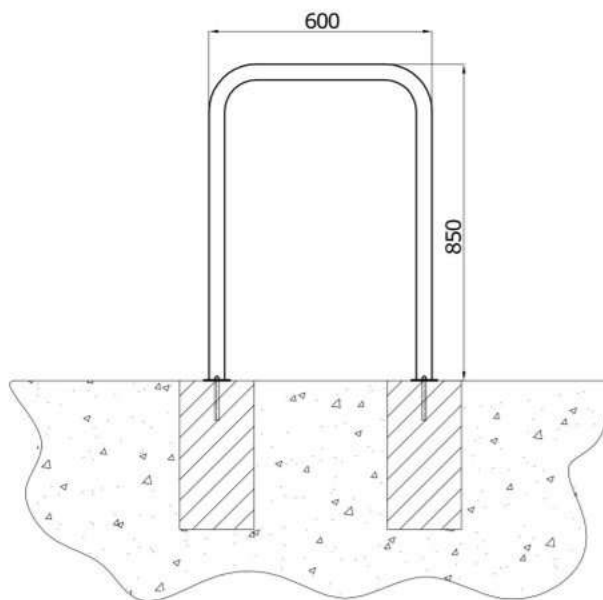
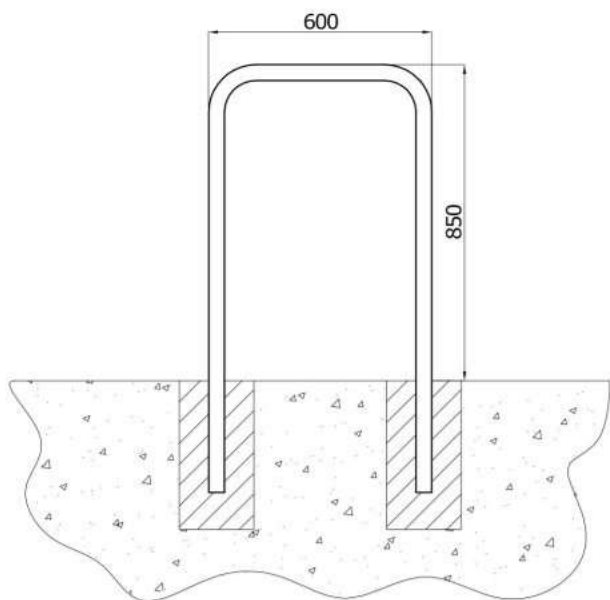


## FINISH OPTIONS

- | Stainless steel brushed or polished
- | Hot dip galvanized steel
- | Galvanized & powder coated in a colour from RAL palette

## DESIGN

- | Available diameters:  
Ø42,4mm | Ø48,3mm | Ø60mm
- | Possibility of securing bicycles with chain, cable, U-lock clamp and other popular fasteners
- | Provides a stable support for two bicycles



## MOUNTING OPTIONS

- | By means of concreting in a foundation
- | Using steel double clip wedge anchors (in hard and solid substrates)

# AMSTERDAM +



Catalog number: SR.106

## DESIGN

Available diameters:  
Ø42,4mm | Ø48,3mm | Ø60mm

Possibility of securing bicycles with chain, cable, U-lock clamp and other popular fasteners

Provides a stable support for two bicycles

## FINISH OPTIONS

Stainless steel brushed or polished

Hot dip galvanized steel

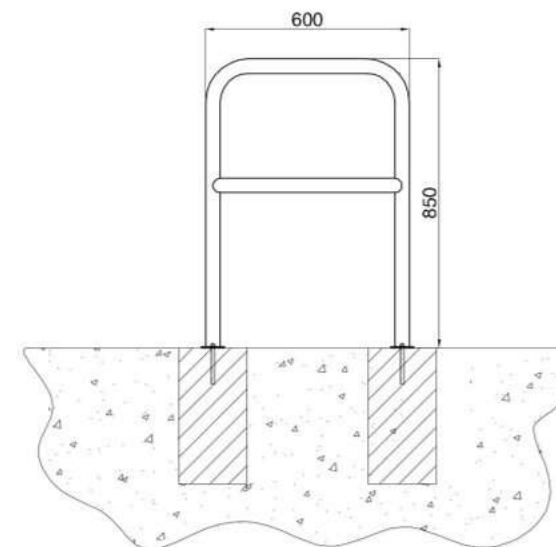
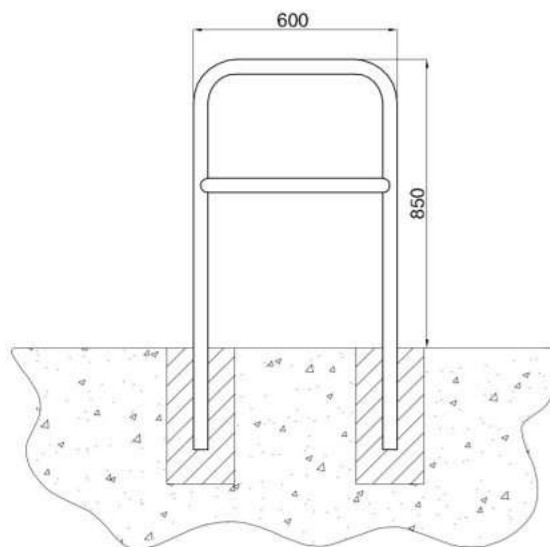
Galvanized & powder coated in a colour from RAL palette



## MOUNTING OPTIONS

By means of concreting in a foundation

Using steel double clip wedge anchors (in hard and solid substrates)







# AMSTERDAM +

Catalog number: SR.107



## FINISH OPTIONS

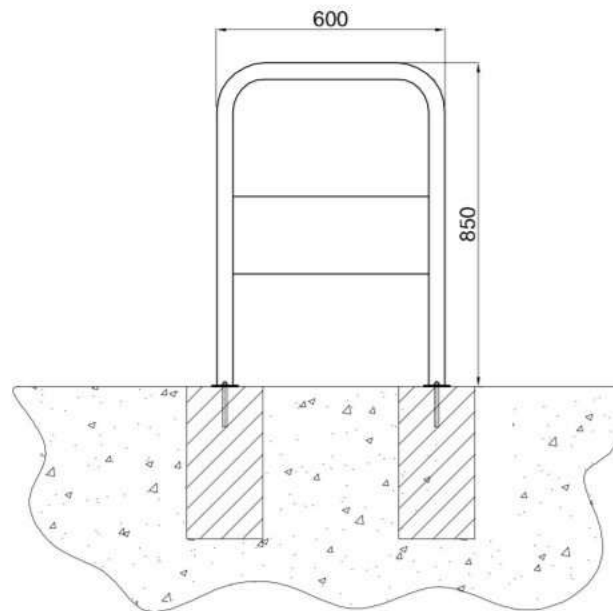
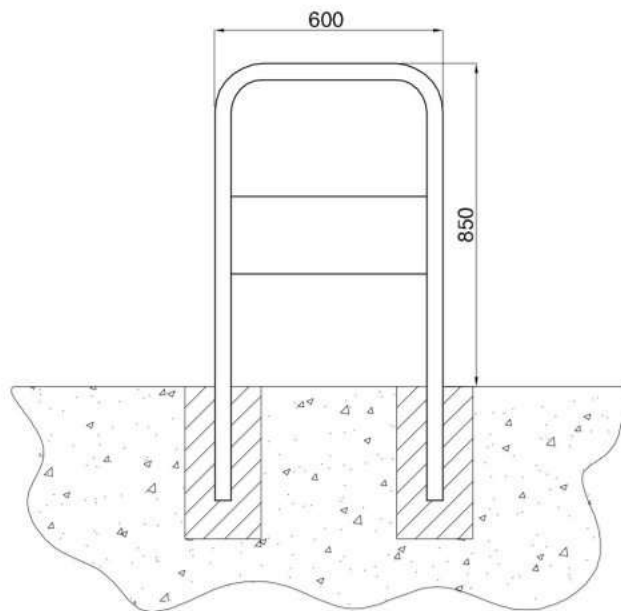
- | Stainless steel brushed or polished
- | Hot dip galvanized steel
- | Galvanized & powder coated in a colour from RAL palette

## DESIGN

- | Available diameters:  
Ø42,4mm | Ø48,3mm | Ø60mm
- | Possibility of securing bicycles with chain, cable, U-lock clamp and other popular fasteners
- | Provides a stable support for two bicycles

## MOUNTING OPTIONS

- | By means of concreting in a foundation
- | Using steel double clip wedge anchors (in hard and solid substrates)



# ATLANTA



Catalog number: SR.111

## DESIGN

Available diameters:  
Ø42,4mm | Ø48,3mm | Ø60mm

Possibility of securing bicycles with chain, cable, U-lock clamp and other popular fasteners

Provides a stable support for two bicycles

## FINISH OPTIONS

Stainless steel brushed or polished

Hot dip galvanized steel

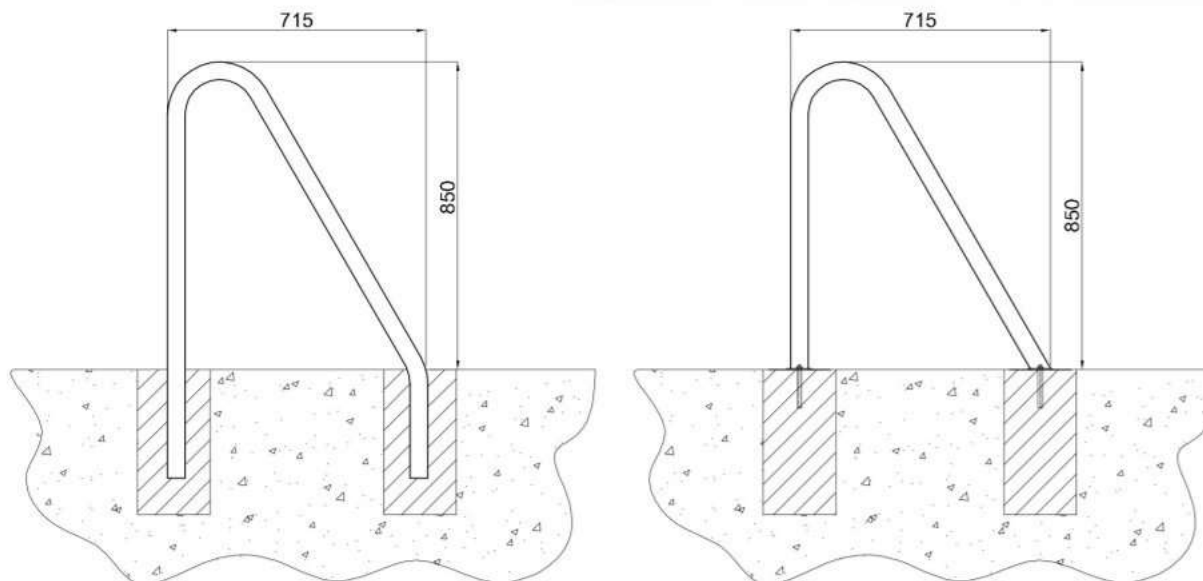
Galvanized & powder coated in a colour from RAL palette



## MOUNTING OPTIONS

By means of concreting in a foundation

Using steel double clip wedge anchors (in hard and solid substrates)





# SYDNEY

Catalog number: SR.121

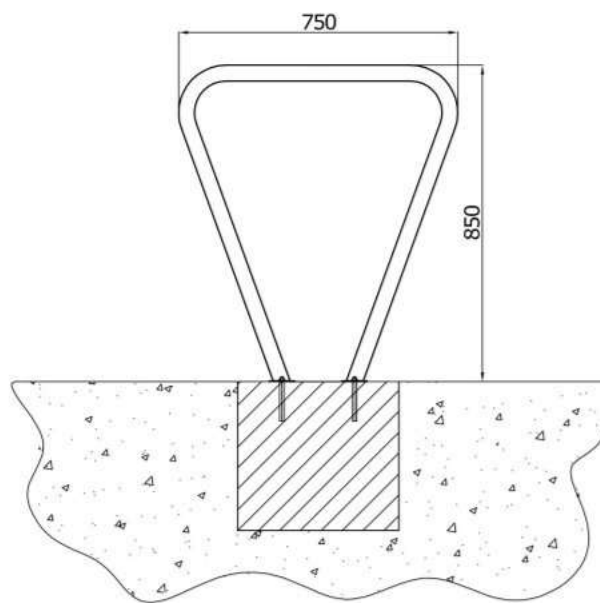
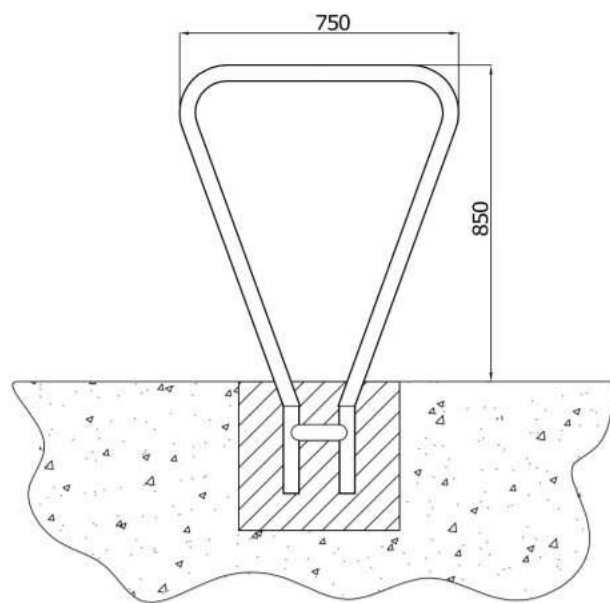


## FINISH OPTIONS

- | Stainless steel brushed or polished
- | Hot dip galvanized steel
- | Galvanized & powder coated in a colour from RAL palette

## DESIGN

- | Available diameters:  
Ø42,4mm | Ø48,3mm | Ø60mm
- | Possibility of securing bicycles with chain, cable, U-lock clamp and other popular fasteners
- | Provides a stable support for two bicycles



## MOUNTING OPTIONS

- | By means of concreting in a foundation
- | Using steel double clip wedge anchors (in hard and solid substrates)

# HOUSTON



Catalog number: SR.131

## DESIGN

Available diameters:  
Ø42,4mm | Ø48,3mm | Ø60mm

Possibility of securing bicycles with chain, cable, U-lock clamp and other popular fasteners

Provides a stable support for two bicycles

## FINISH OPTIONS

Stainless steel brushed or polished

Hot dip galvanized steel

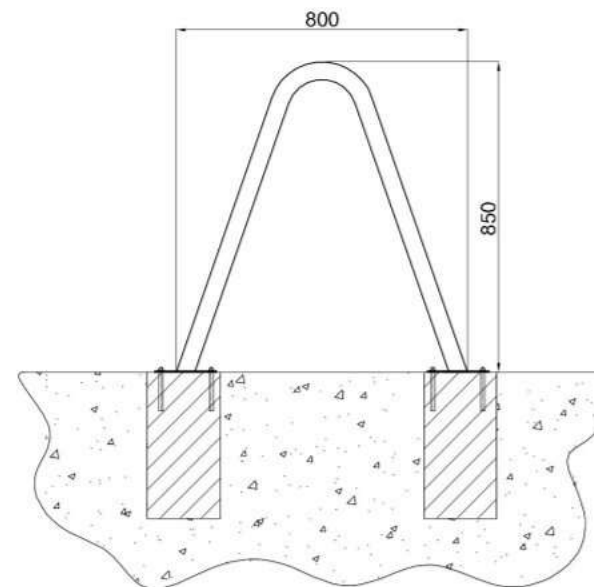
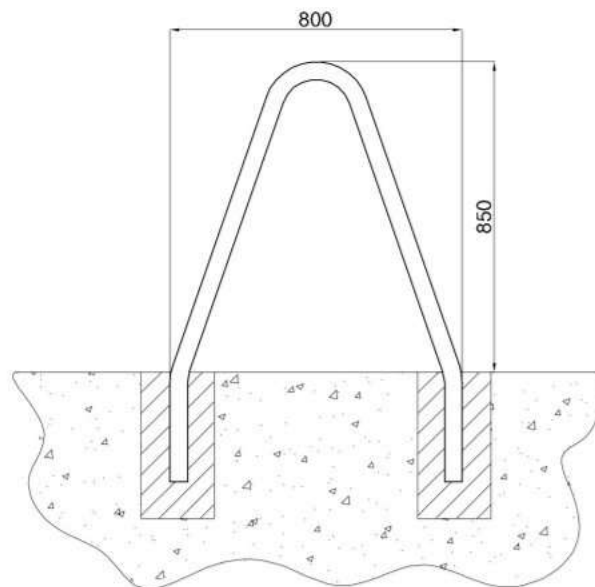
Galvanized & powder coated in a colour from RAL palette



## MOUNTING OPTIONS

By means of concreting in a foundation

Using steel double clip wedge anchors (in hard and solid substrates)







# OXFORD

Catalog number: SR.141

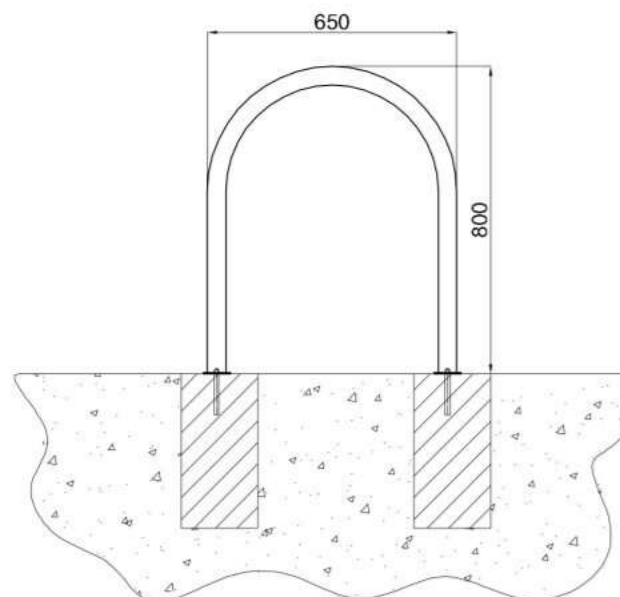
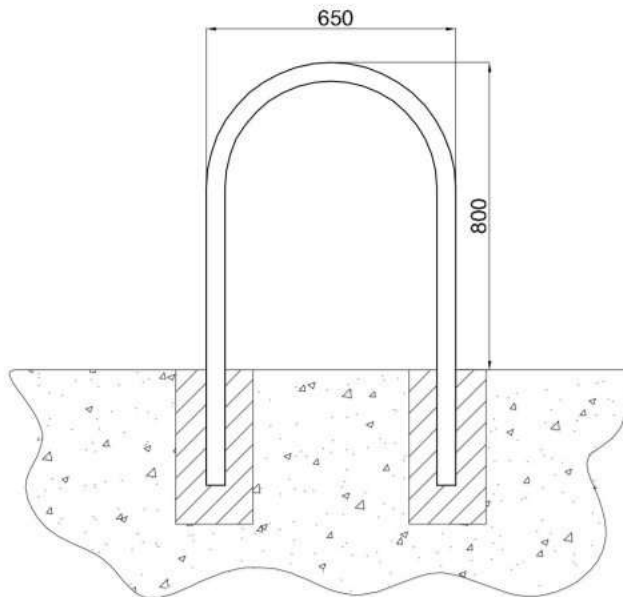


## FINISH OPTIONS

- | Stainless steel brushed or polished
- | Hot dip galvanized steel
- | Galvanized & powder coated in a colour from RAL palette

## DESIGN

- | Available diameters:  
Ø48,3mm | Ø60mm
- | Possibility of securing bicycles with chain, cable, U-lock clamp and other popular fasteners
- | Provides a stable support for two bicycles



## MOUNTING OPTIONS

- | By means of concreting in a foundation
- | Using steel double clip wedge anchors (in hard and solid substrates)

# DUBLIN



Catalog number: SR.151

## DESIGN

Available diameters:  
Ø42,4mm | Ø48,3mm | Ø60mm

Possibility of securing bicycles with chain, cable, U-lock clamp and other popular fasteners

Provides a stable support for two bicycles

## FINISH OPTIONS

Stainless steel brushed or polished

Hot dip galvanized steel

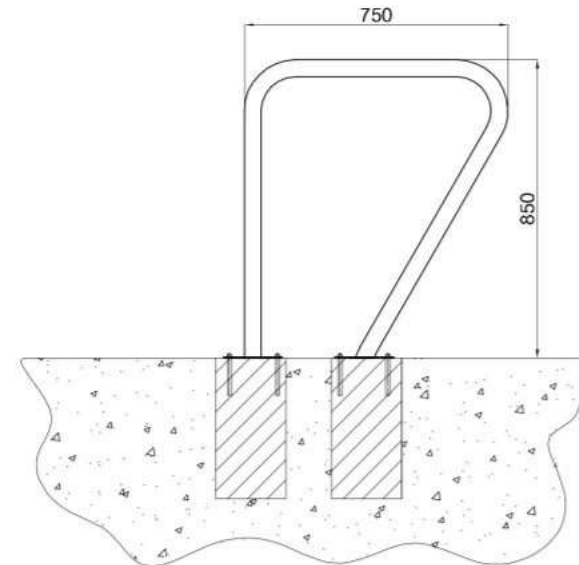
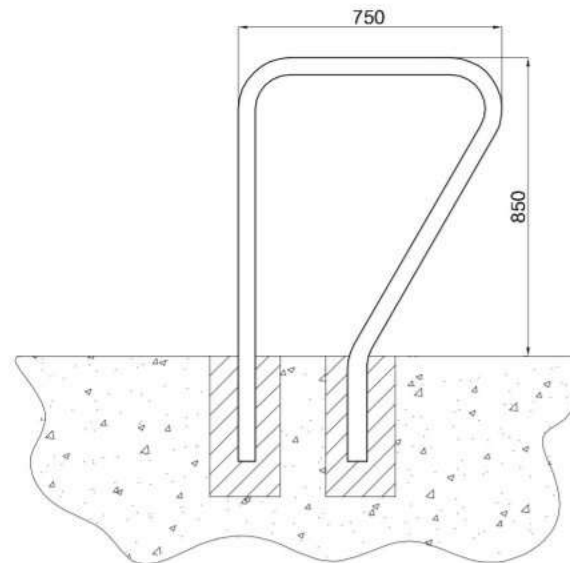
Galvanized & powder coated in a colour from RAL palette



## MOUNTING OPTIONS

By means of concreting in a foundation

Using steel double clip wedge anchors (in hard and solid substrates)



# BARCELONA

Catalog number: SR.161

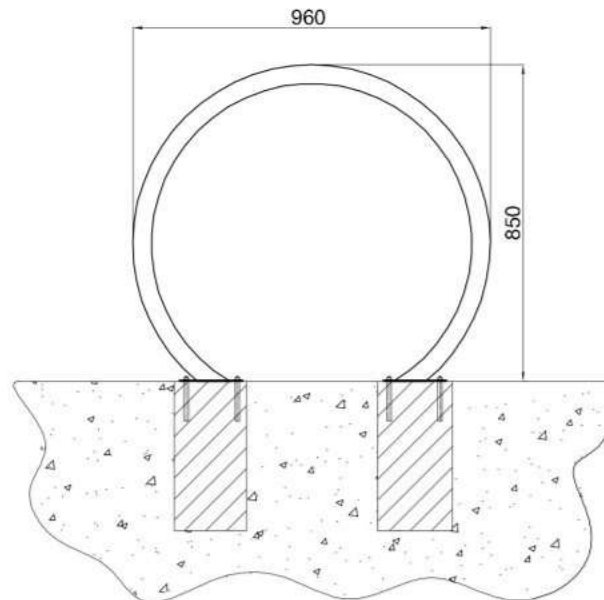
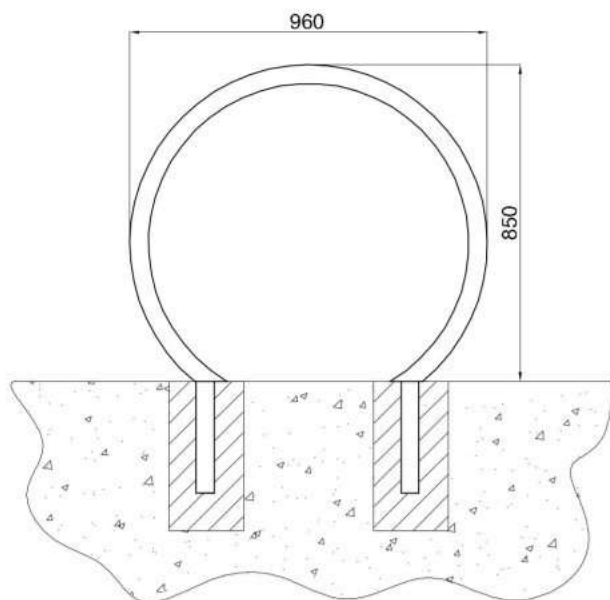


## FINISH OPTIONS

- | Stainless steel brushed or polished
- | Hot dip galvanized steel
- | Galvanized & powder coated in a colour from RAL palette

## DESIGN

- | Available diameter: Ø48,3mm
- | Possibility of securing bicycles with chain, cable, U-lock clamp and other popular fasteners
- | Provides a stable support for two bicycles



## MOUNTING OPTIONS

- | By means of concreting in a foundation
- | Using steel double clip wedge anchors (in hard and solid substrates)

# TORONTO



Catalog number: SR.171

## DESIGN

Available diameter:  
Ø 48,3mm + Ø 26,9mm

Possibility of securing bicycles with chain, cable, U-lock clamp and other popular fasteners

Provides a stable support for two bicycles

## FINISH OPTIONS

Stainless steel brushed or polished

Hot dip galvanized steel

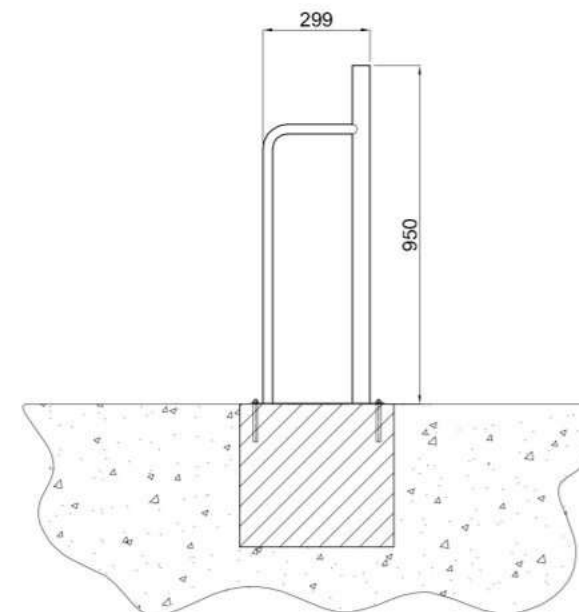
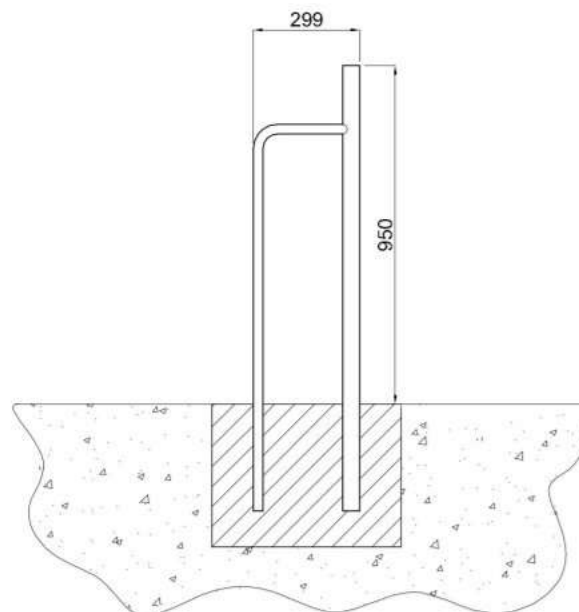
Galvanized & powder coated in a colour from RAL palette



## MOUNTING OPTIONS

By means of concreting in a foundation

Using steel double clip wedge anchors (in hard and solid substrates)







# MIAMI

Catalog number: SR.201

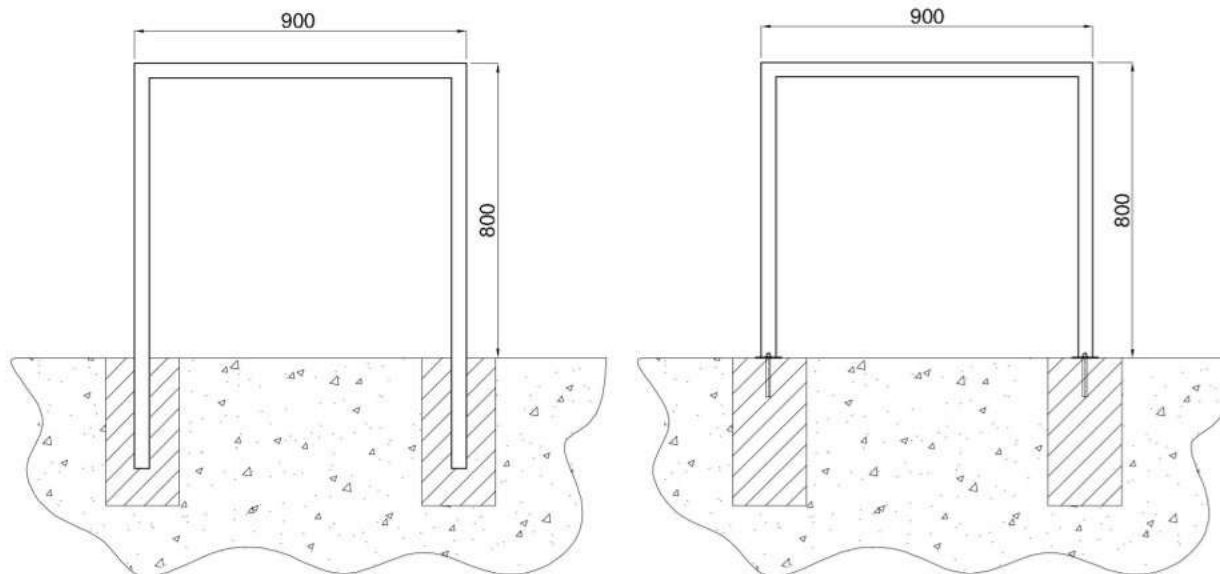


## FINISH OPTIONS

- | Stainless steel brushed or polished
- | Hot dip galvanized steel
- | Galvanized & powder coated in a colour from RAL palette

## DESIGN

- | Available profile: 60x40mm
- | Possibility of securing bicycles with chain, cable, U-lock clamp and other popular fasteners
- | Provides a stable support for two bicycles



## MOUNTING OPTIONS

- | By means of concreting in a foundation
- | Using steel double clip wedge anchors (in hard and solid substrates)

# HELSINKI



Catalog number: SR.211

## DESIGN

Available profile:  
50×30mm

Possibility of securing bicycles with chain, cable, U-lock clamp and other popular fasteners

Provides a stable support for two bicycles

It has an ornamental wooden element that prevents the bicycle frame from being welded to the steel frame of the stand - 2 cm high

## MOUNTING OPTIONS

By means of concreting in a foundation

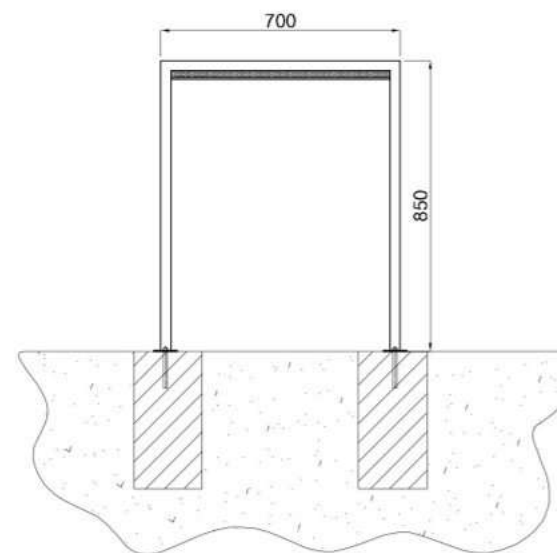
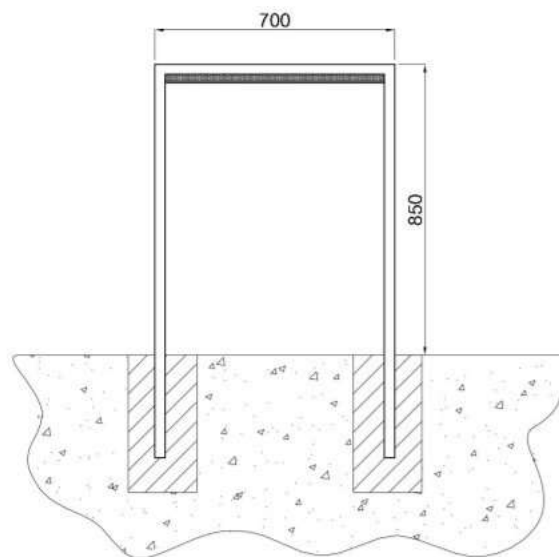
Using steel double clip wedge anchors  
(in hard and solid substrates)

## FINISH OPTIONS

Stainless steel brushed or polished

Hot dip galvanized steel

Galvanized & powder coated in a colour from RAL palette



# OSLO

Catalog number: SR.221

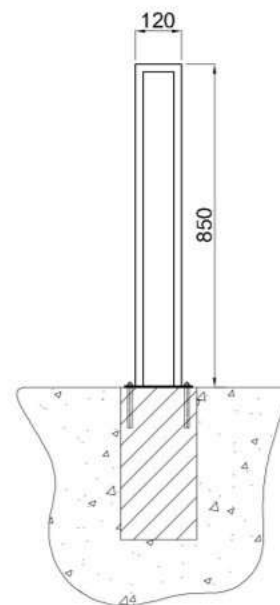
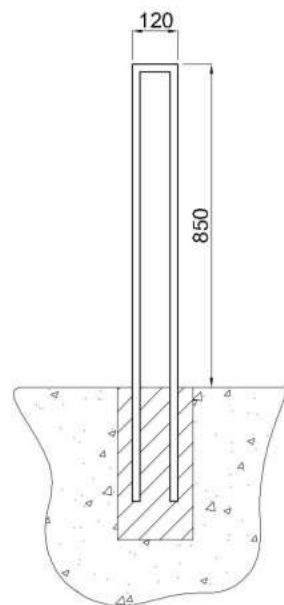


## FINISH OPTIONS

- | Stainless steel brushed or polished
- | Hot dip galvanized steel
- | Galvanized & powder coated in a colour from RAL palette

## DESIGN

- | Available profile: 40x20mm
- | Possibility of securing bicycles with chain, cable, U-lock clamp and other popular fasteners
- | Provides a stable support for two bicycles



## MOUNTING OPTIONS

- | By means of concreting in a foundation
- | Using steel double clip wedge anchors (in hard and solid substrates)

# BERLIN



Catalog number: SR.301

## DESIGN

Available diameters:  
Ø42,4mm | Ø48,3mm | Ø60mm

Possibility of securing bicycles with chain, cable, U-lock clamp and other popular fasteners

Provides a stable support for two bicycles

## FINISH OPTIONS

Stainless steel brushed or polished

Hot dip galvanized steel

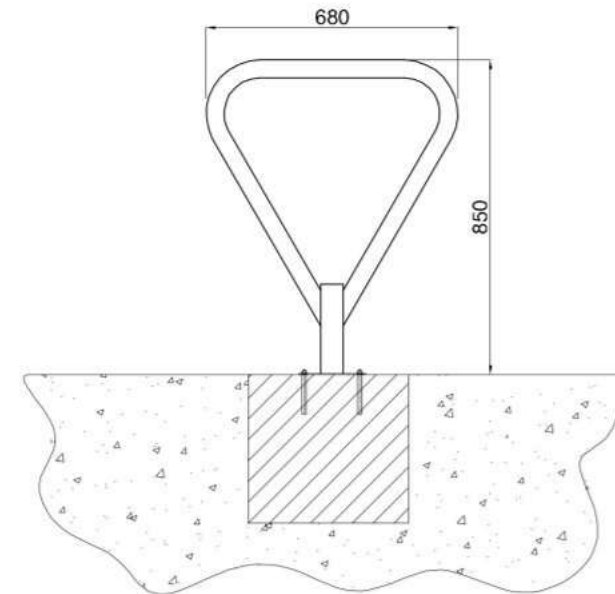
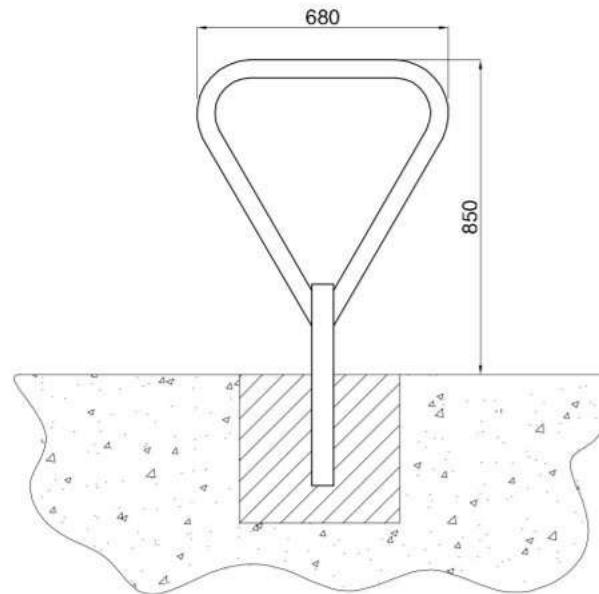
Galvanized & powder coated in a colour from RAL palette



## MOUNTING OPTIONS

By means of concreting in a foundation

Using steel double clip wedge anchors (in hard and solid substrates)







# BERLIN+

Catalog number: SR.302

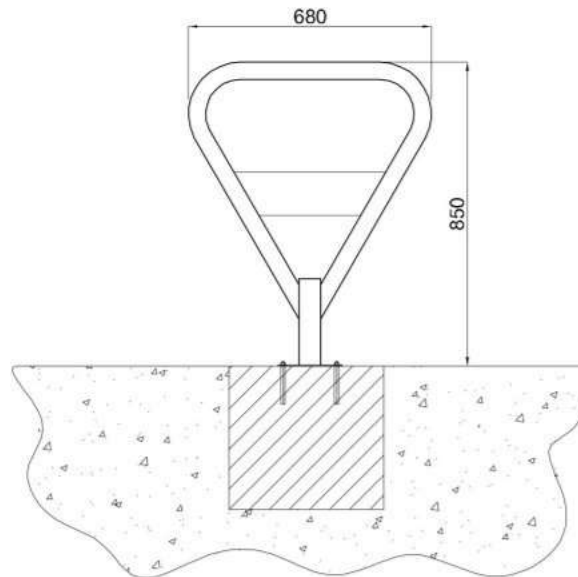
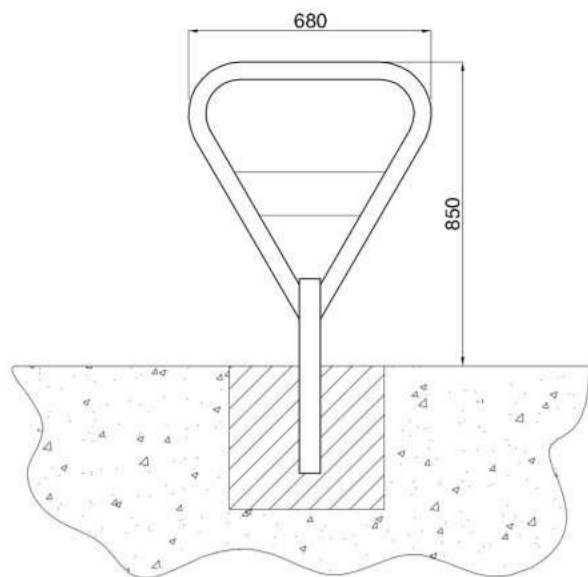


## FINISH OPTIONS

- | Stainless steel brushed or polished
- | Hot dip galvanized steel
- | Galvanized & powder coated in a colour from RAL palette

## DESIGN

- | Available diameters:  
Ø42,4mm | Ø48,3mm | Ø60mm
- | Possibility of securing bicycles with chain, cable, U-lock clamp and other popular fasteners
- | Provides a stable support for two bicycles



## MOUNTING OPTIONS

- | By means of concreting in a foundation
- | Using steel double clip wedge anchors (in hard and solid substrates)

# PORTO



Catalog number: SR.311

## DESIGN

Available diameters:

Ø42,4mm | Ø48,3mm | Ø60mm

Possibility of securing bicycles with chain, cable, U-lock clamp and other popular fasteners

Provides a stable support for two bicycles

## MOUNTING OPTIONS

By means of concreting in a foundation

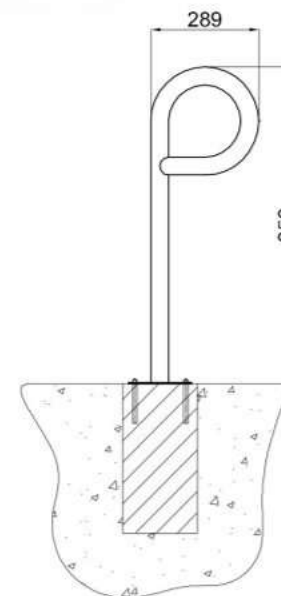
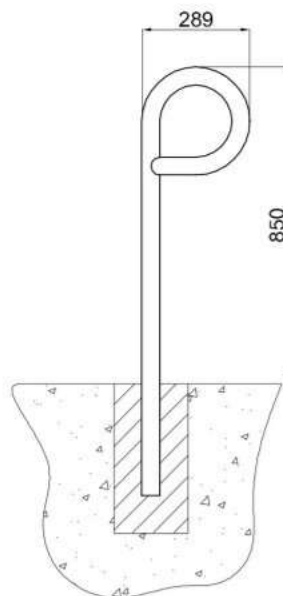
Using steel double clip wedge anchors (in hard and solid substrates)

## FINISH OPTIONS

Stainless steel brushed or polished

Hot dip galvanized steel

Galvanized & powder coated in a colour from RAL palette





# HAMBURG

Catalog number: SR.321

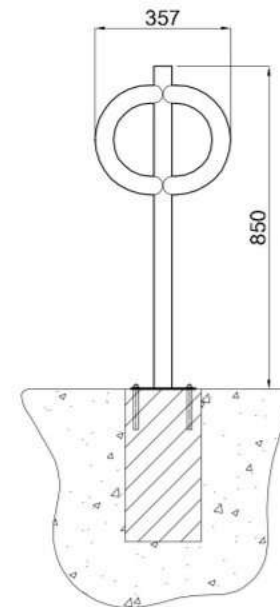
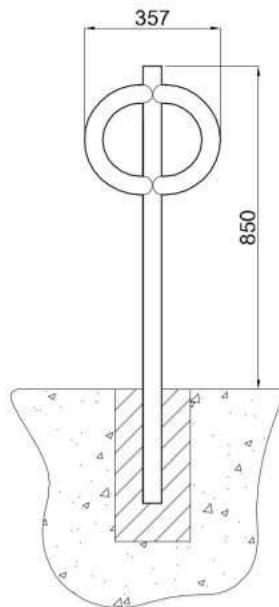


## FINISH OPTIONS

- | Stainless steel brushed or polished
- | Hot dip galvanized steel
- | Galvanized & powder coated in a colour from RAL palette

## DESIGN

- | Available diameters:  
Ø42,4mm | Ø48,3mm | Ø60mm
- | Possibility of securing bicycles with chain, cable, U-lock clamp and other popular fasteners
- | Provides a stable support for two bicycles



## MOUNTING OPTIONS

- | By means of concreting in a foundation
- | Using steel double clip wedge anchors (in hard and solid substrates)

# DAKAR

Catalog number: SR.401



## DESIGN

Available diameters:

Ø42,4mm | Ø48,3mm | Ø60mm

Possibility of securing bicycles with chain, cable, U-lock clamp and other popular fasteners

Provides a stable support for two bicycles

## MOUNTING OPTIONS

By means of concreting in a foundation

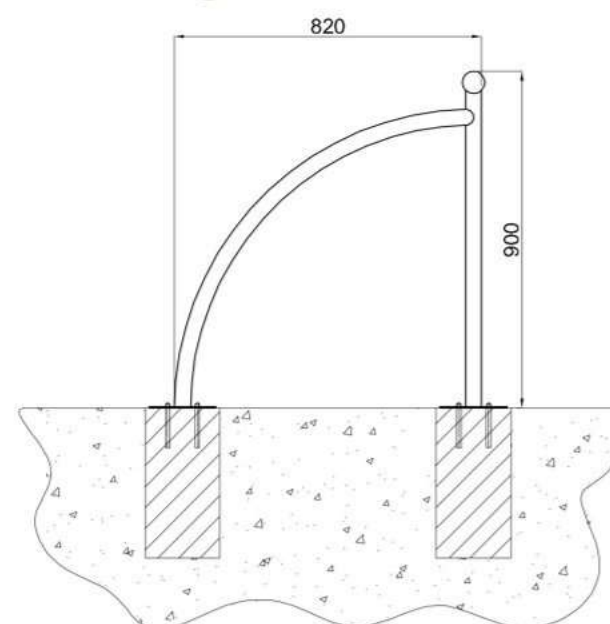
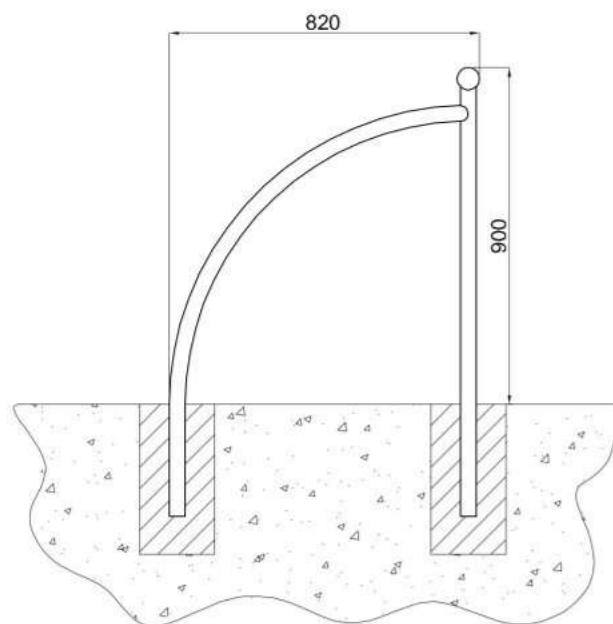
Using steel double clip wedge anchors (in hard and solid substrates)

## FINISH OPTIONS

Stainless steel brushed or polished

Hot dip galvanized steel

Galvanized & powder coated in a colour from RAL palette





# ROME

Catalog number: SR.411

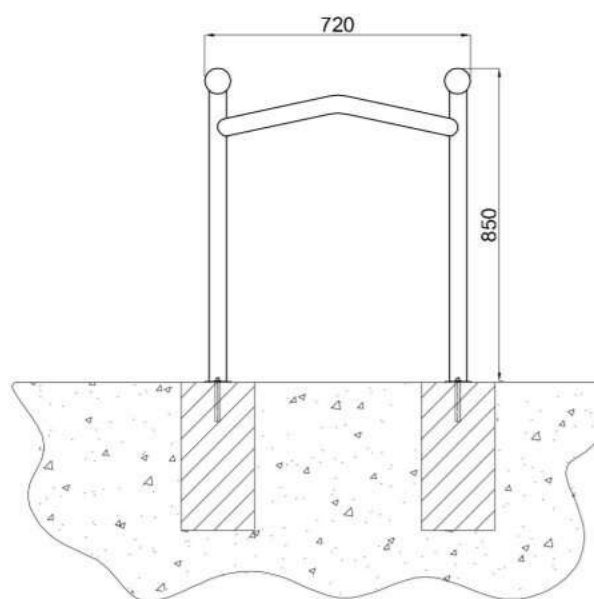
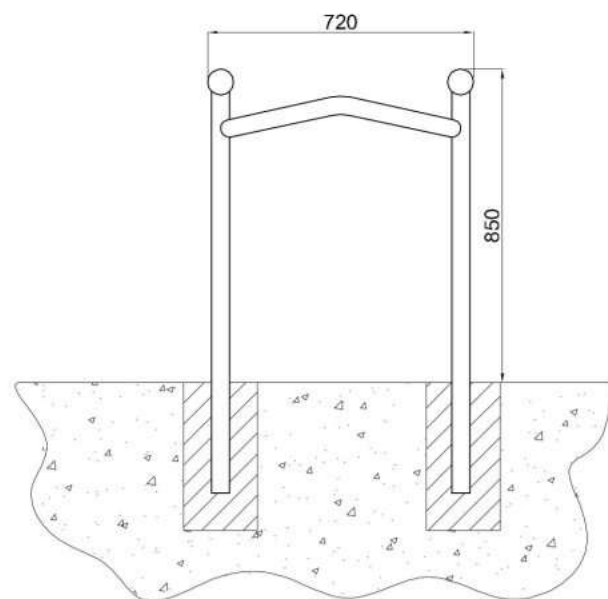


## FINISH OPTIONS

- | Stainless steel brushed or polished
- | Hot dip galvanized steel
- | Galvanized & powder coated in a colour from RAL palette

## DESIGN

- | Available diameters:  
Ø42,4mm | Ø48,3mm | Ø60mm
- | Possibility of securing bicycles with chain, cable, U-lock clamp and other popular fasteners
- | Provides a stable support for two bicycles



## MOUNTING OPTIONS

- | By means of concreting in a foundation
- | Using steel double clip wedge anchors (in hard and solid substrates)

# ATHENS



Catalog number: SR.421

## DESIGN

Available diameters:

Ø42,4mm | Ø48,3mm | Ø60mm

Possibility of securing bicycles with chain, cable, U-lock clamp and other popular fasteners

Provides a stable support for two bicycles

## FINISH OPTIONS

Stainless steel brushed or polished

Hot dip galvanized steel

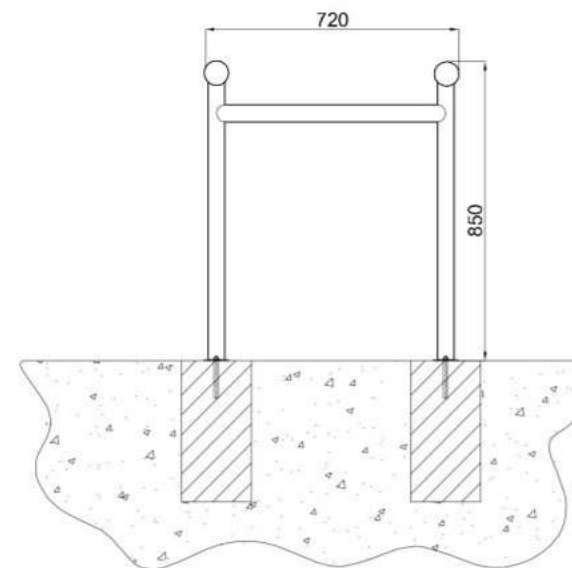
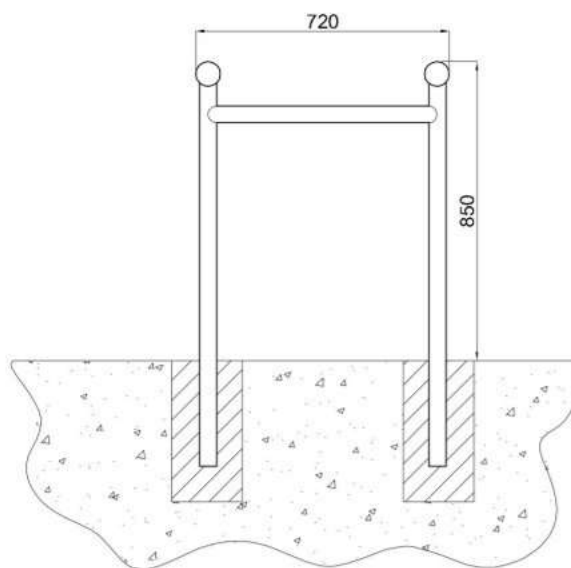
Galvanized & powder coated in a colour from RAL palette



## MOUNTING OPTIONS

By means of concreting in a foundation

Using steel double clip wedge anchors (in hard and solid substrates)



# MILAN

Catalog number: SR.431



## BICYCLE RACKS

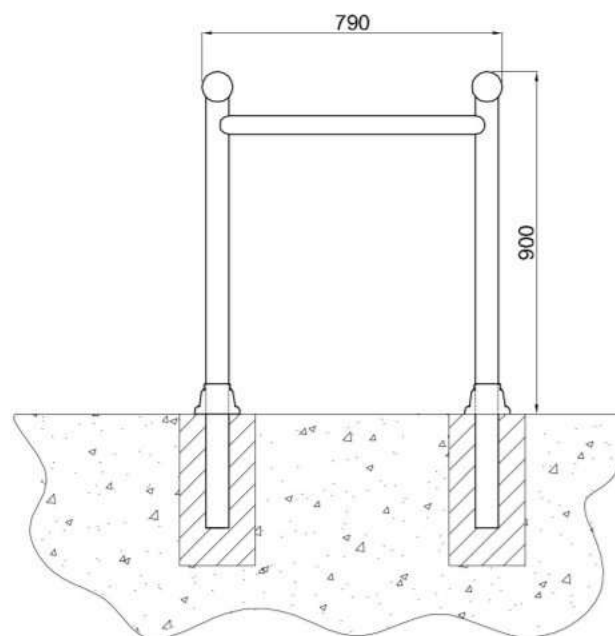
- | Stainless steel brushed or polished
- | Hot dip galvanized steel
- | Galvanized & powder coated in a colour from RAL palette

## DESIGN

- | Available diameters:  
Ø 60,3mm with bar Ø 48,3mm
- | Possibility of securing bicycles with chain, cable, U-lock clamp and other popular fasteners
- | Provides a stable support for two bicycles
- | Aluminum rosettes included

## MOUNTING OPTIONS

- | By means of concreting in a foundation



# MILAN+



Catalog number: SR.432

## DESIGN

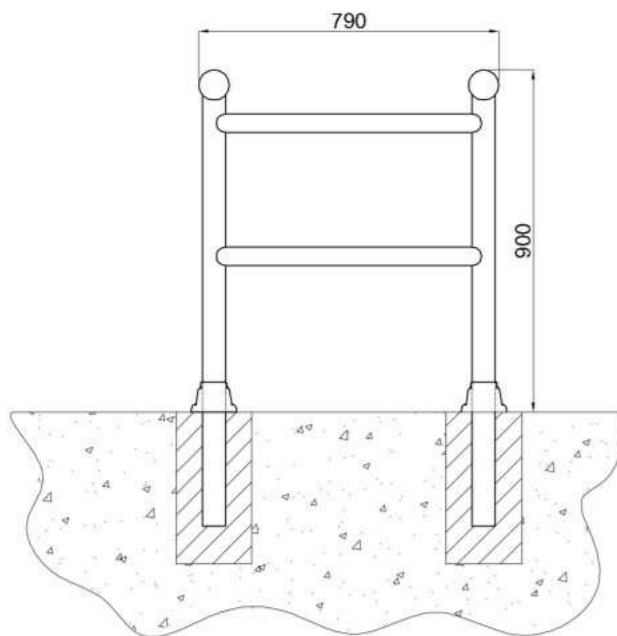
- Available diameter:  
Ø 60,3mm with two bars Ø 48,3mm
- Possibility of securing bicycles with chain, cable, U-lock clamp and other popular fasteners
- Provides a stable support for two bicycles
- Aluminum rosettes included

## MOUNTING OPTIONS

- By means of concreting in a foundation

## FINISH OPTIONS

- Stainless steel brushed or polished
- Hot dip galvanized steel
- Galvanized & powder coated in a colour from RAL palette





# TOKYO



Catalog number: SR.100

## DESIGN

Available diameters:  
Ø42,4mm | Ø48,3mm | Ø60mm

Possibility of securing bicycles with chain, cable, U-lock clamp and other popular fasteners

Provides a stable support for two bicycles

## MOUNTING OPTIONS

By means of concreting in a foundation

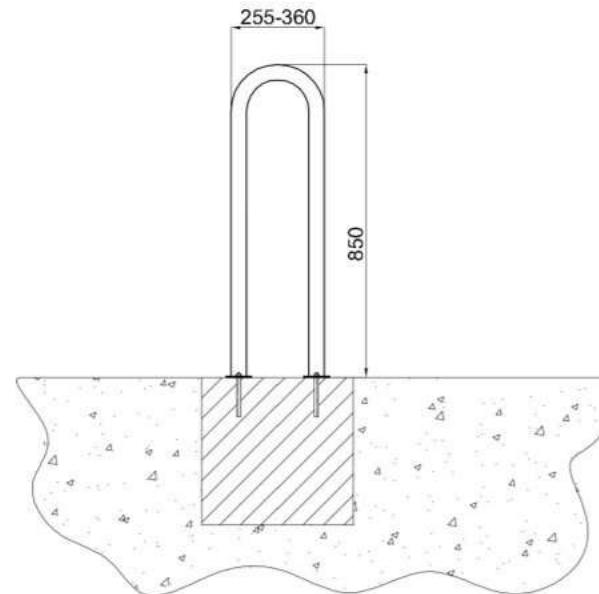
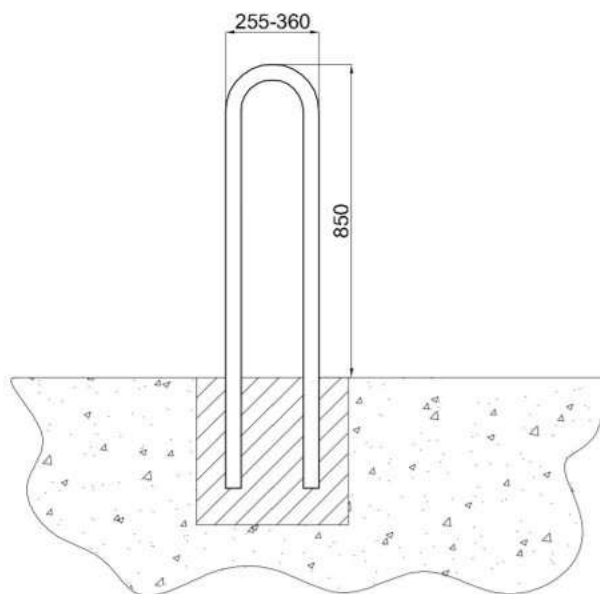
Using steel double clip wedge anchors (in hard and solid substrates)

## FINISH OPTIONS

Stainless steel brushed or polished

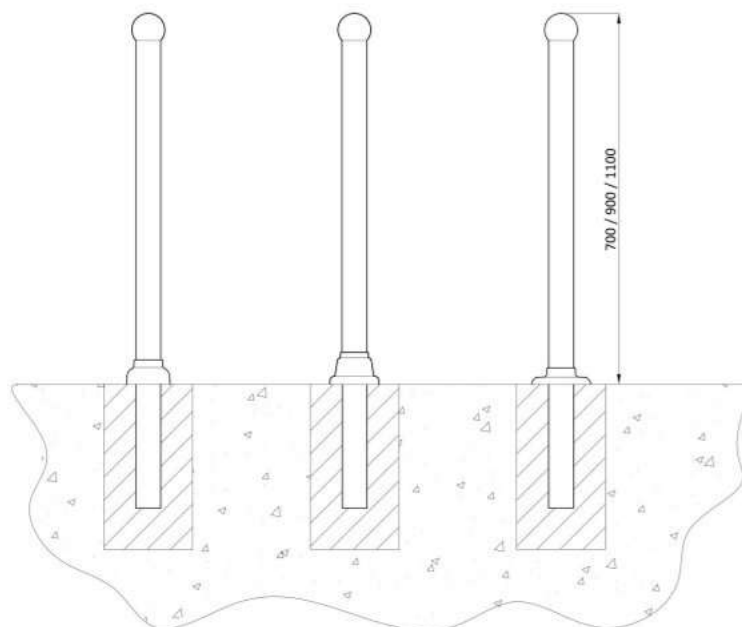
Hot dip galvanized steel

Galvanized & powder coated in a colour from RAL palette



11.00

Catalog number: SL.11.00



11.11

11.12

11.13



## DESIGN

| Made entirely of aluminum (also available in steel version with bottom aluminum base)

| Powder coated in a colour from RAL palette

| Versions without chain and with the possibility of mounting one or two rows of chains

| Available in three variations of the base shape (11.11, 11.12, 11.13)

| Available post heights above the ground level: 70, 90, 110cm

## MOUNTING OPTIONS

| By means of concreting in a foundation

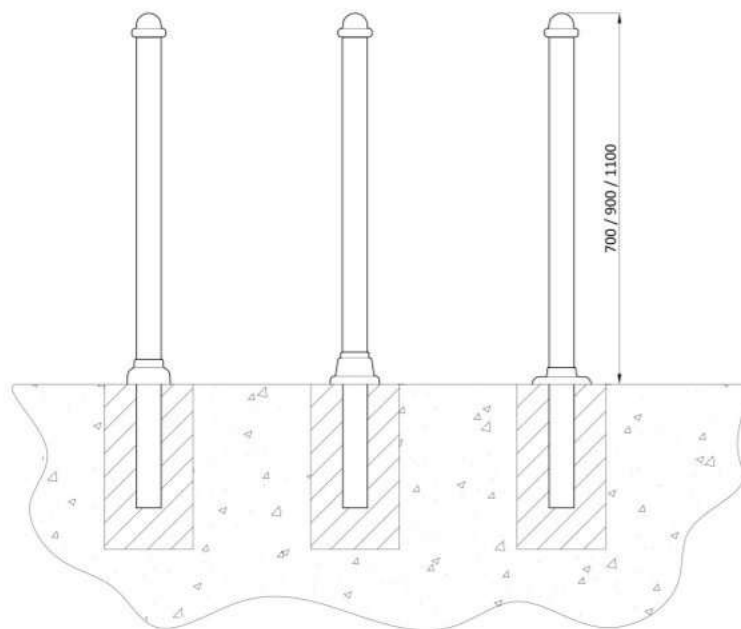
# 12.00

Catalog number: SL.12.00



## DESIGN

- | Made entirely of aluminum
- | Powder coated in a colour from RAL palette
- | Versions without chain and with the possibility of mounting one or two rows of chains
- | High corrosion resistant (much better than steel or cast iron posts)
- | Available in three variations of the base shape (11.11, 11.12, 11.13)
- | Available post heights above the ground level: 70, 90, 110cm



12.11

12.12

12.13

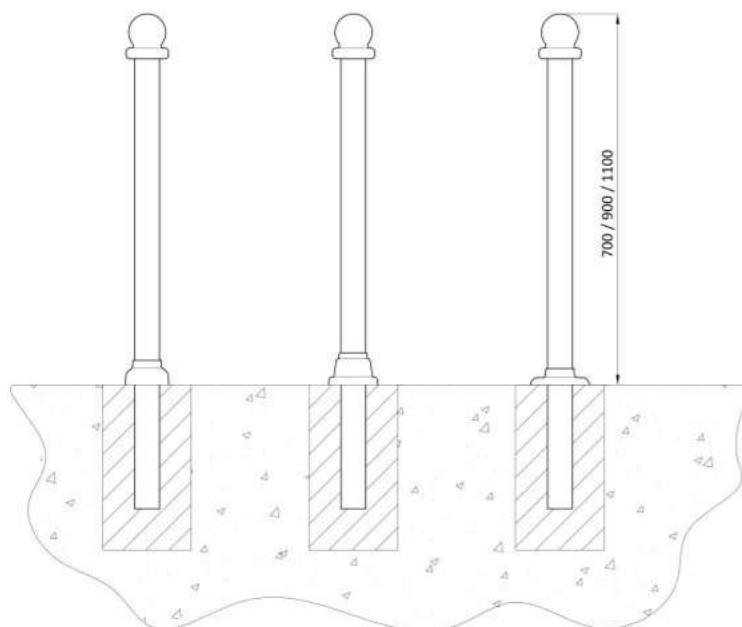
## MOUNTING OPTIONS

- | By means of concreting in a foundation



13.00

Catalog number: SL.13.00



13.11

13.12

13.13



## DESIGN

- | Made entirely of aluminum
- | Powder coated in a colour from RAL palette
- | Versions without chain and with the possibility of mounting one or two rows of chains
- | High corrosion resistant (much better than steel or cast iron posts)
- | Available in three variations of the base shape (11.11, 11.12, 11.13)
- | Available post heights above the ground level: 70, 90, 110cm

## MOUNTING OPTIONS

- | By means of concreting in a foundation

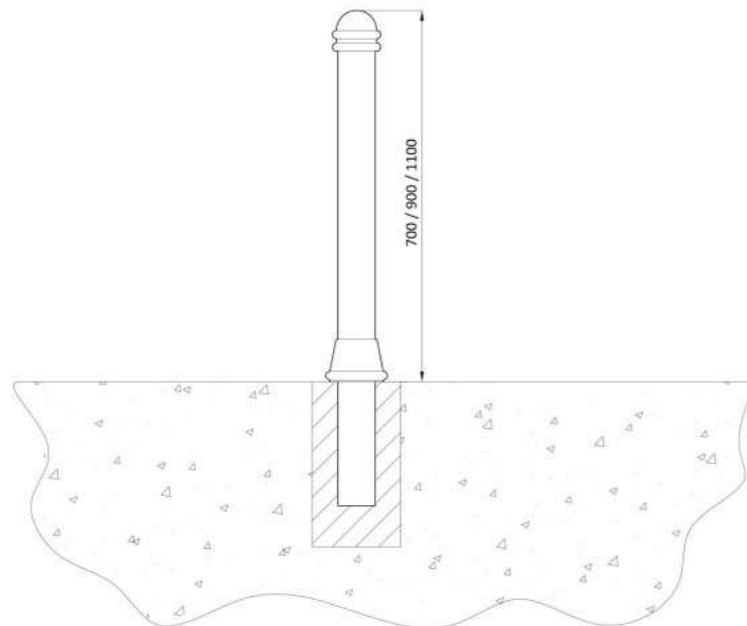
# 90.01

Catalog number: SL.90.01



## DESIGN

- | Made entirely of aluminum
- | Powder coated in a colour from RAL palette
- | Versions without chain and with the possibility of mounting one or two rows of chains
- | High corrosion resistant (much better than steel or cast iron posts)
- | Available post heights above the ground level: 70, 90, 110cm



90.01

## MOUNTING OPTIONS

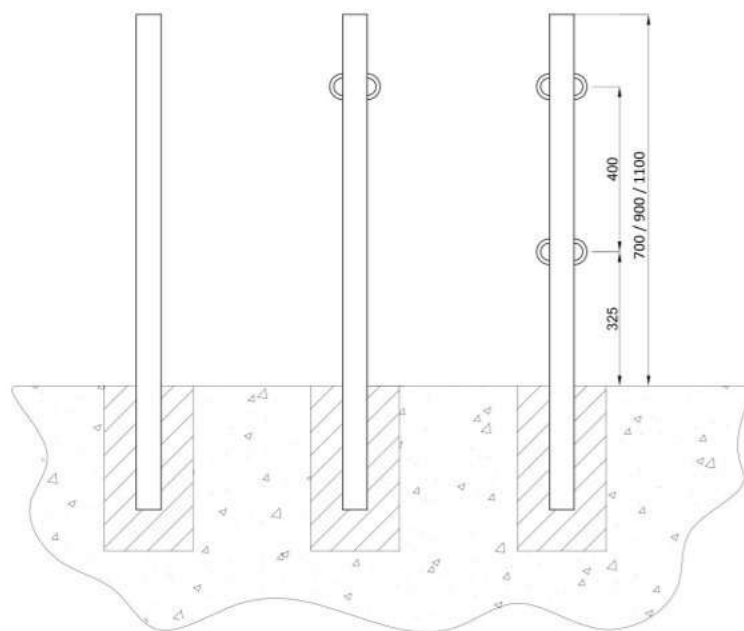
- | By means of concreting in a foundation





60.01

Catalog number: SL.60.01



## DESIGN

- | Made entirely of aluminum or steel pipes
- | Powder coated in a colour from RAL palette
- | Versions without chain and with the possibility of mounting one or two rows of chains
- | Available post heights above the ground level: 70, 90, 110cm
- | Available diameters: 48,3mm, 60,3mm

## MOUNTING OPTIONS

- | By means of concreting in a foundation

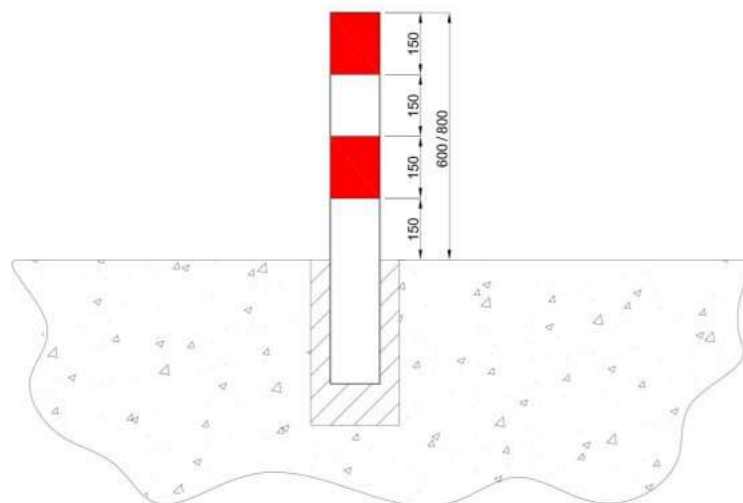
# U-12C

Catalog number: SL.U12C



## DESIGN

- | Made entirely of aluminum or steel pipes
- | Powder coated in a colour from RAL palette
- | Versions without chain and with the possibility of mounting one or two rows of chains
- | Optionally with reflective stripes in the colors: red, orange, yellow, blue or green
- | Available post heights above the ground level: 60, 80cm



## MOUNTING OPTIONS

- | By means of concreting in a foundation

# BICYCLE SHED

Catalog number: WR.01.01



## FINISH OPTIONS

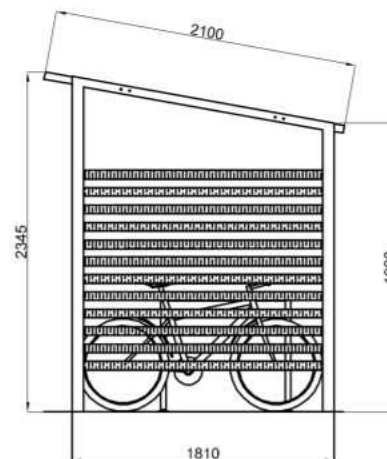
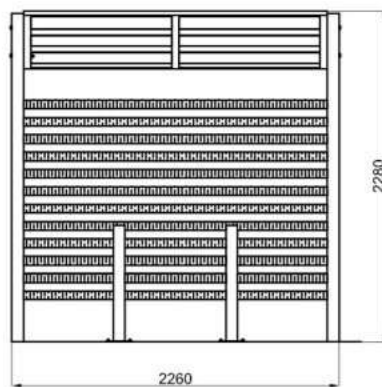
- | Hot dip galvanized steel
- | Hot dip galvanized steel & powder painting
- | Stainless steel
- | Options for side and rear walls:
  - | Lacquered bars made of spruce or oak
  - | Steel bars in the color of the construction
  - | Tempered glass
  - | Plexiglas
  - | Polycarbonate

## MOUNTING OPTIONS

- | Using steel double clip wedge anchors (in hard and solid substrates)

## DESIGN

- | Made from hot dip galvanized steel profiles
- | By default, one module of the shed allows the use of two U shaped bicycle stands (4 parking spaces)
- | Roofing made of polycarbonate



STRAIGHT VERSION WR.01.01



DIAGONAL VERSION WR.01.02

# Sitzbank DUBLIN

Artikelnummer: LP.05



## KONSTRUKTION:

Basisgestell: aus 4 mm Stahlblech

Imprägnierte und lackierte Sitzfläche aus Holz

Mit Schrauben befestigte Holzelemente

Es ermöglicht die Verbindung mehrerer Bänke zu einer Reihe mit großer Kapazität. Es ist möglich, Bänke herzustellen, die in einem Winkel verbunden sind.



## INSTALLATION:

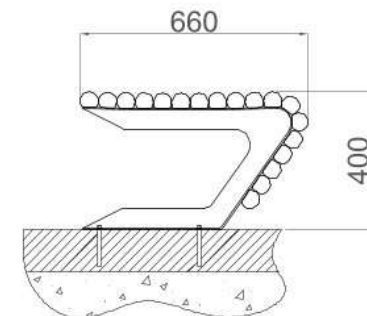
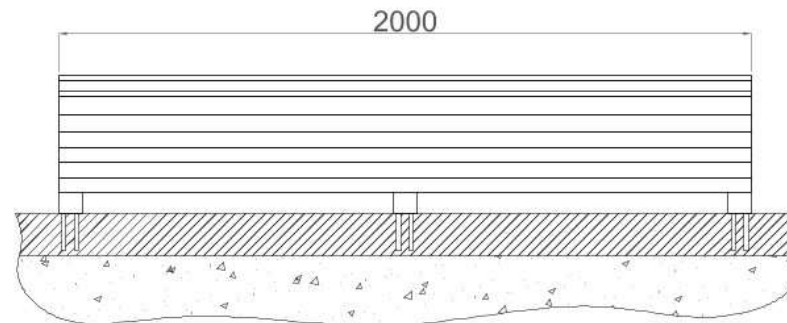
Verwendung von Doppelpreisankern aus Stahl (nur für den Einsatz in harten und festen Untergründen)

Freistehend

## VARIANTEN DER VERARBEITUNG:

Feuerverzinkter schwarzer Stahl

Feuerverzinkter schwarzer Stahl und pulverbeschichtet in einer ausgewählten Farbe aus der RAL-Palette





BIKLEE.de – Fahrrad Reparatur- und Pumpstationen  
BIKLEE Design Stadtmobiliar für Fahrradfahrer – ROBUST & LANGLEBIG  
Fahrradständer, Pumpstationen, Fahrrad-Garagen und Fahrrad-Carports

powered by

**gutsicher** GmbH  
Eisenstr. 20a  
30916 Isernhagen

Telefon: 0511 43 77 09 95  
Mobile: 0159 06 75 40 95  
Email: [info@biklee.de](mailto:info@biklee.de)  
Web: [www.biklee.de](http://www.biklee.de)